



JUNIOR

624 633 650



ELECTROMECHANICAL SLIDING GATE OPENER

100% made in FADINI



FADINI[®]
the gate opener
Made in Italy

The Junior gear box is built completely of die cast aluminium, and the coupling is supported by shielded roller bearings.

All of the internal operational components are protected with gaskets and oil seals and are lubricated with specific high performance grease for motor drive applications. The mounting of the Junior gate opener is by way of 4 pavement expansion plugs or else by way of 4 x M10 anchor bolts attached to the special anchor plate.

This also enables the adjustment of the height of the reduction gear motor.

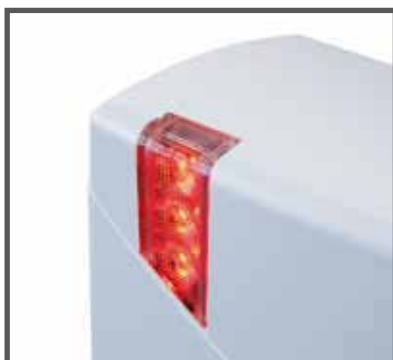
Diagnostic status of the entire system is indicated by way of the standard LED lamp in the protective housing .

The ELPRO programmer as standard equipment is located in the upper part of the unit just below the cover. During installation it is possible to immediately set Junior for Right or Left operations by way of the dip-switches, without need to act on the motor phase or the limit switches.

- Blue LED diagnostic lamp for system status indication
- Self-learning of the run pattern and the slowdowns
- Obstacle detection and gate direction reversing
- Adjustable pedestrian opening
- Immediate function setting through dip-switches
- Magnetic limit switch standard
- Ready for a second sliding gate installation: Master - Slave
- Manual unlock handle with coded key
- Automatic closing on passing over photocells



- A** Blue signal lamp
- C** Protective housing
- B** Gear box in painted aluminium
- D** Manual unlock handle with coded key



LED lamp turning amber in colour signals malfunction



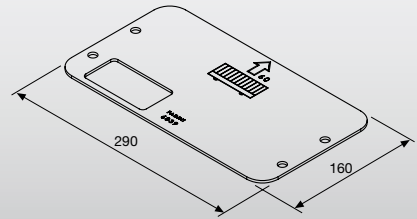
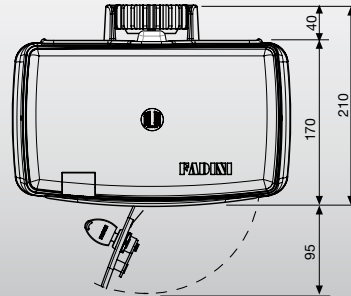
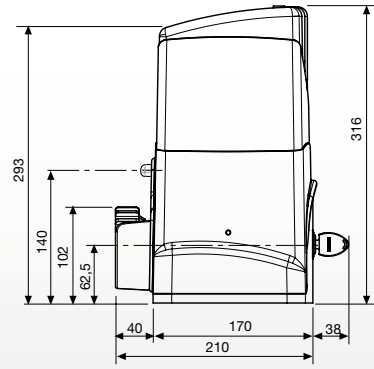
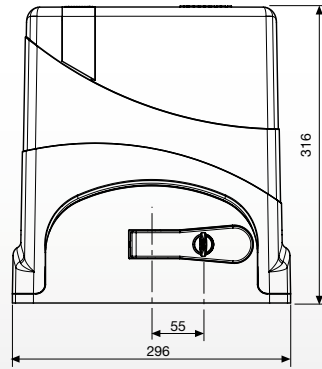
Magnetic limit switch standard



Manual unlock with coded key



TECHNICAL SPECIFICATIONS



	JUNIOR 624	JUNIOR 633	JUNIOR 650
Power yield	•	0.25KW (0.33HP)	0.37KW (0.5HP)
Power supply voltage	230 - 50 Hz	230V - 50Hz	230V - 50Hz
Motor voltage	24Vdc	230V - 50Hz	230V - 50Hz
Max power absorbed	220W	400W	510W
Max Current Absorbed	6.3A	2A	2.4A
Max thrust force	400N	600N	1'000N
Max gate weight	400 Kg	600 Kg	1'200 Kg
Speed	12m/1'	10m/1'	10m/1'
Protection Grade	IP 54	IP 54	IP 54
Lubrication	Grease	Grease	Grease
Operational Temperature	-20°C +50°C	-20°C +50°C	-20°C +50°C
Junior weight	11 Kg	11.3 Kg	13.5 Kg
Service Cycle	30s opening / closing 20s pause	60s opening / closing 30s pause	60s opening / closing 30s pause
Complete cycle time	100s = 36 cycles/hour	180s = 20 cycles/hour	180s = 20 cycles/hour



meccanica
FADINI®
s.r.l.



JUNIOR 624

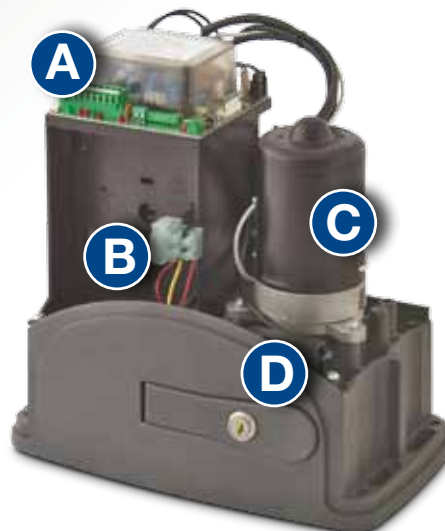


- 24 V dc electromechanical sliding gate opener
- Suitable for residential installations
- Maximum gate weight 400 Kg
- Compliant with UNI-EN 12445 and EN 12453 certified
- Pre-fitted rechargeable back up battery



JUNIOR

The Junior 624 is an electromechanical sliding gate opener with a 24 V dc low voltage motor, designed and developed compliant with the EN 12445 and EN 12453 safety standards and the EN 13241 product standard: any obstacle detected when the gate is either opening or closing, gate travel is reversed a while allowing obstacle removal, or reversed to fully open position. The back-up batteries (optional) are recharged automatically by the ELPRO 62 programmer.



- A** ELPRO 62 Electronic Programmer
- B** 230V mains power supply input
- C** Motor
- D** Safety microswitch



Complete KIT ►►
with all commanding,
signalling and safety accessories

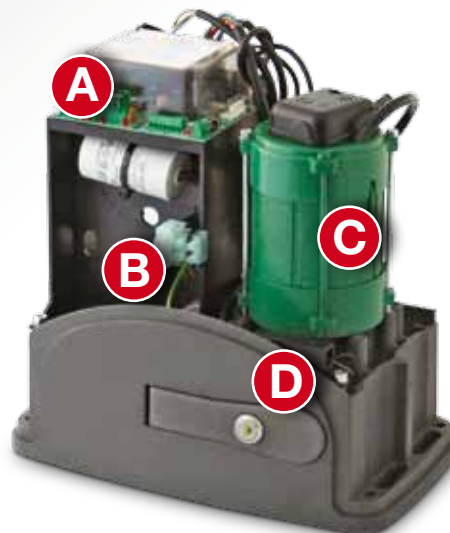
JUNIOR 633



- Single-phase 230 V electromechanical sliding gate opener
- Suitable for residential and industrial installations
- Maximum gate weight 600 Kg
- Compliant with UNI-EN 12445 and EN 12453 certified



The Junior 633 is an electromechanical sliding gate opener with a 230V single phase motor with 0.33 Hp, designed and developed compliant with the EN 12445 and EN 12453 safety standards and the EN 13241 product standard: any obstacle detected when the gate is either opening or closing, gate travel is reversed a while allowing obstacle removal, or reversed to fully open position.



- A** ELPRO 63 Electronic Programmer
- B** 230V mains power supply input
- C** Motor
- D** Safety microswitch



1

CHIS 37 wall mount key-switch



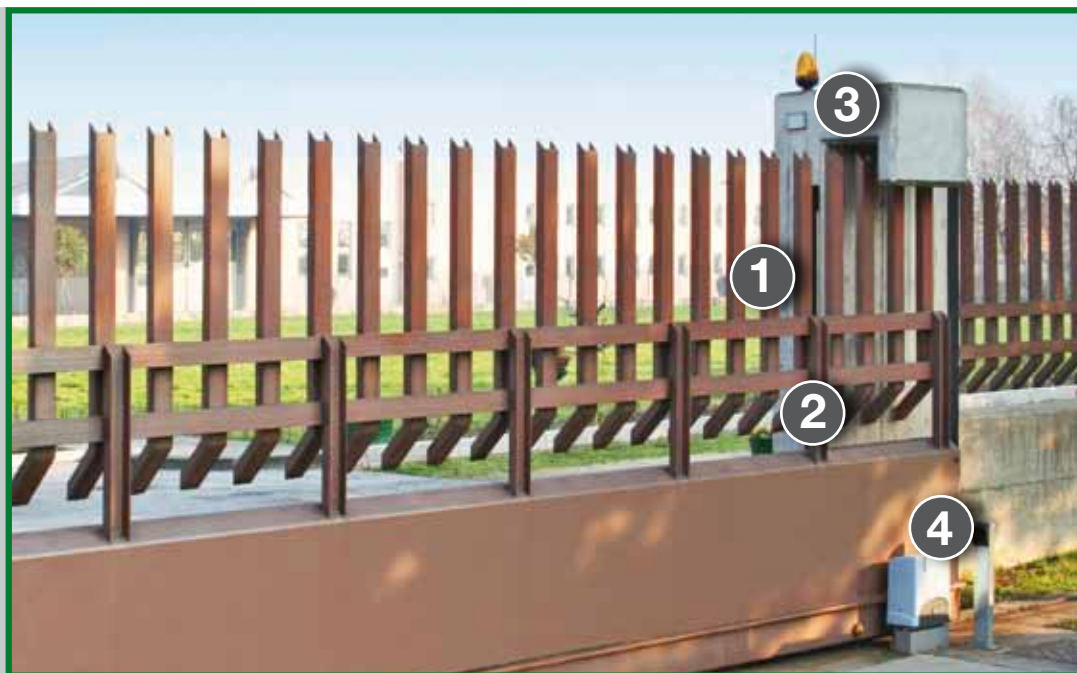
2

Pair of FIT 55 wall mount photocells

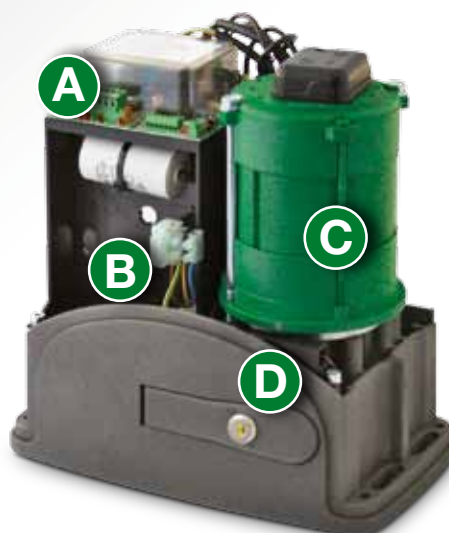
JUNIOR 650



- Single-phase 230 V electromechanical sliding gate opener
- Suitable for industrial installations
- Gate maximum weight 1'200 Kg
- Compliant with UNI-EN 12445 and EN 12453 certified



The Junior 650 is an electromechanical sliding gate opener with a 230V single phase motor with 0.5 Hp, designed and developed compliant with the EN 12445 and EN 12453 safety standards and the EN 13241 product standard: any obstacle detected when the gate is either opening or closing, gate travel is reversed a while allowing obstacle removal, or reversed to fully open position.



- A** ELPRO 63 Electronic Programmer
- B** 230V mains power supply input
- C** Motor
- D** Safety microswitch



3 MIRI 4 flasher with antenna



4 Plug in radio receiver with remote transmitter